

UV540 Series Full HD PTZ Camera

Full HD, Wide View Angle, Multiple Zoom Lens, Multiple Video Interfaces and Multiple protocols

UV540 Series Full HD PTZ Camera offers perfect functions, superior performance and rich interfaces. The features include advanced ISP processing algorithms to provide vivid images with a strong sense of depth, high resolution, and fantastic color rendition. It supports H.265/H.264 encoding which makes motion video fluent and clear even under less than ideal bandwidth conditions.



Key Features

- **Superb High-definition Image**
UV540 employs 1/2.8 inch high quality CMOS sensor. Resolution is up to 1920x1080 with frame rate up to 60fps.
- **Various Optical Zoom Lens**
UV540 has 5X/10X optical zoom lens for options. 5X zoom lens is with 83.7 ° wide view angle without distortion.
- **Trinity image auto-focusing technology**
Focus on intelligent image processing, to provide automatic white balance (AWB), automatic exposure (AE), automatic focusing (AF) function, fully automatically adapt to the environment, to achieve the best image effect, perfect trinity image automatic adjustment.
- **Low Noise and High SNR**
Low Noise CMOS effectively ensure high SNR of camera video. Advanced 2D/3D noise reduction technology is also used to further reduce the noise, while ensuring image sharpness.
- **Multiple video output interfaces:** Support HDMI, SDI, USB2.0, USB3.0 and LAN(POE).
- **Multiple Video compression:** Support H.265/H.264 video compression
- **Audio Input Interface**
Support 16000,32000,44100,48000 sampling frequency and AAC,MP3,G.711A audio coding.
- **Multiple Network Protocol**
Support ONVIF,RTSP,RTMP, GB/T28181 protocols and support RTMP push mode, easy to link streaming media server (Wowza,FMS)
- **RS232 Interface:** Support RS232 control interface, easy to adapt.
- **Multiple Control Protocols:** Support VSCA, Pelco-D, Pelco-P and support auto-recognize protocol.

Phone:+86-17771843647

Tel:+86-755-33288582

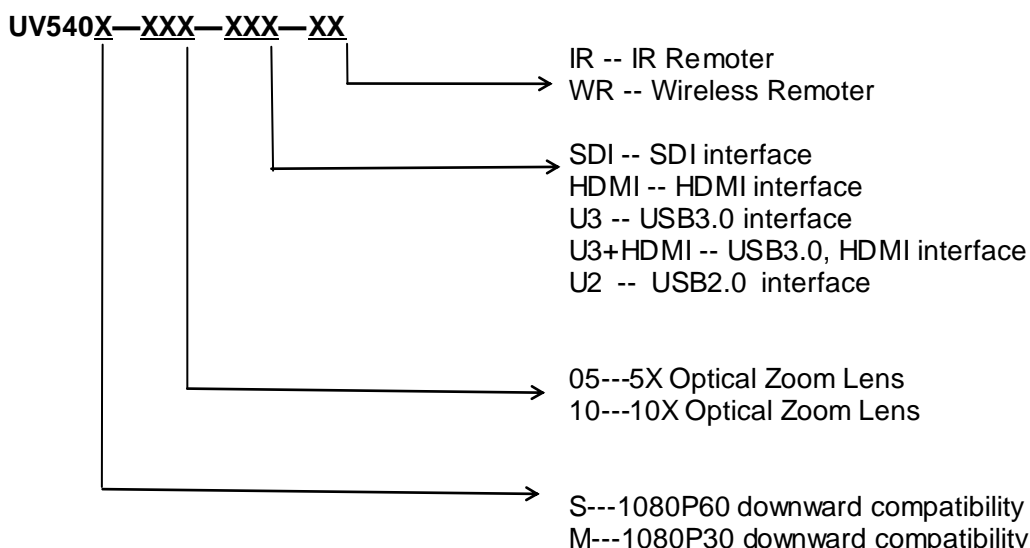
E-mail:claire@minrraycam.com

Web:www.minrraycam.com

Address: 5&6 Floor, Building 13-A, ZhongHaiXin Technology Park, Ganli Road, Lilang Avenue, Buji, Shenzhen 518112, China

- **Low-power sleep function:** Support low-power sleep/wake up,the consumption is lower than 400mW under sleep mode
- **Wide-range, Quiet and Quick Pan/Tilt Mechanism**
By adopting step driving motor mechanism, UV540 camera works extremely quiet and moves smoothly.
- **Multiple Remoter Control**
User can choose to use IR remoter or wireless remoter according to the working environment. The 2.4G wireless remoter will not be affected by angle, distance or infrared interfere. Support remoter signal pass through function, which is convenient for back-end use.
- **Multiple Preset**
Support up to 255 presets (10 presets by remoter)
- **Wide Application**
Tele-education,lecture capture,Webcasting, Videoconferencing,Tele-training,Tele-medicine, Interrogation and Emergency command systems.

Order No.



Technical Specification

Model Number	UV540-05	UV540-10
Camera Parameter		
Image Sensor	1/2.8 Inch High Quality CMOS Sensor	
Effective Pixels	2.07MP, 16:9	
Video Format	SDI/HDMI Video Output Format 1080P60/50/30/25/59.94/29.97, 1080i60/50/59.97, 720P60/50/30/25/59.94/29.97 USB3.0 Video Output Format 1) USB3.0: 1920X1080P60/50/30/25; 1280X720P60/50/30/25; 960X540P30; 640X360P30; 640X480P30; 352X288P30; 800X600P30 2) USB3.0 compatible with USB2.0: 960X540P30; 640X360P30; 1280X720P10/15; 720X576P50; 720X480P60; 640X480P30; 352X288P30; 800X600P30 USB2.0 Video Output Format: 176x144/320x240/320x180/352x288/640x480/720x480/720x576/640x360/800X600/960X540/1024X576/1024X768/1280X720/1920X1080	

Phone:+86-17771843647

Tel:+86-755-33288582

E-mail:claire@mingricctv.com

Web:www.minrraycam.com

Address: 5&6 Floor,Building 13-A,ZhongHaiXin Technology Park,Ganli Road,Lilang Avenue,Buji,Shenzhen 518112,China

	P30/25/20/15/10/5	
Optical Lens	5X f=3.1~15.5mm	10X f=4.7~47mm
View Angle	20° (Tele) 83.7°(Wide)	6.43° (Tele) 60.9° (Wide)
Iris	F1.8 - F2.8	F1.6 – F3.0
Digital Zoom	X10	
Low Illumination	0.5Lux(F1.8, AGC ON)	
DNR	2D & 3D DNR	
White Balance	Auto / Manual/ One Push//3000K/3500K/4000K/4500K/5000K/5500K/6000K/6500K/7000K	
Focus	Auto / Manual/ One Push	
Aperture/Electronic Shutter	Auto / Manual	
BLC	On/Off	
WDR	OFF/ Dynamic Level Adjustment	
Video Adjustment	Brightness, Color, Saturation, Contrast, Sharpness, B/W mode, Gamma curve	
SNR	>55dB	
Input/Output Interface		
Model No/Interface	UV540-05/10-SDI Interface: SDI, LAN(POE), RS232(input & output), A-IN UV540-05/10-HDMI Interface: HDMI, LAN(POE), RS232(input & output), A-IN UV540-05/10-U3 Interface: USB3.0, LAN, RS232 UV540-05/10-U3+HDMI Interface: USB3.0, HDMI, LAN, RS232 UV540-05/10-U2 Interface: USB2.0, LAN, RS232	
Video Stream	Dual Stream output	
Image Multi Code Source Output	Supported (SDI/HDMI/USB3.0/USB2.0, LAN can be with different Code Source/TV System)	
Video Compression	H.265, H.264	
Audio Compression Format	A-in: Double track 3.5mm linear input;	
Audio Output	Audio can be output with image through SDI, HDMI, LAN interface	
Audio Compression Format	AAC, MP3, G.711A	
Network Interface	100M IP Port (10/100BASE-TX)	
Network Protocol	RTSP, RTMP, ONVIF, GB/T28181; Support VISCA Control Protocol, Support remote upgrade, reboot and reset.	
Control Interface	RS232	
Control Protocol	Protocol: VISCA/Pelco-D/Pelco-P; Baud Rate: 115200/9600/4800/2400bps	
Power Interface	HEC3800 Outlet (DC12V)	
Power Adapter	Input AC110V-AC220V, output DC12V/1.5A	
Power Input	DC12V±10%, 1A(Max)	
Power Consumption	12W(Max)	
PTZ Parameter		
Pan/Tilt Rotation	-125°~+125°, -30°~+30°	
Pan/Tilt Control Speed	0.1~65°/Second, 0.1~35°/Second	
Preset Speed	Pan:65°/Second, Tilt: 35°/Second	
Preset Numbers	255 presets (10 presets by remote controller)	
Other Parameter		
Stored Temperature/ Humidity	-10°C~+60°C, 20%~95%	
Working Temperature/ Humidity	-10°C~+50°C, 20%~80%	
Dimension	151.6mmX154.5mmX131.3mm	

Phone:+86-17771843647

Tel:+86-755-33288582

E-mail:claire@mingricctv.com

Web:www.minrraycam.com

Address: 5&6 Floor, Building 13-A, ZhongHaiXin Technology Park, Ganli Road, Lilang Avenue, Buji, Shenzhen 518112, China



Shenzhen Minrray Industry Co.,Ltd.

Weight	1.07kg
Application	Indoor
Package	Power supply, RS232 control cable, Remote controller, User manual
Optional Accessories	Ceiling / Wall Mount (Extra Cost)

Phone:+86-17771843647

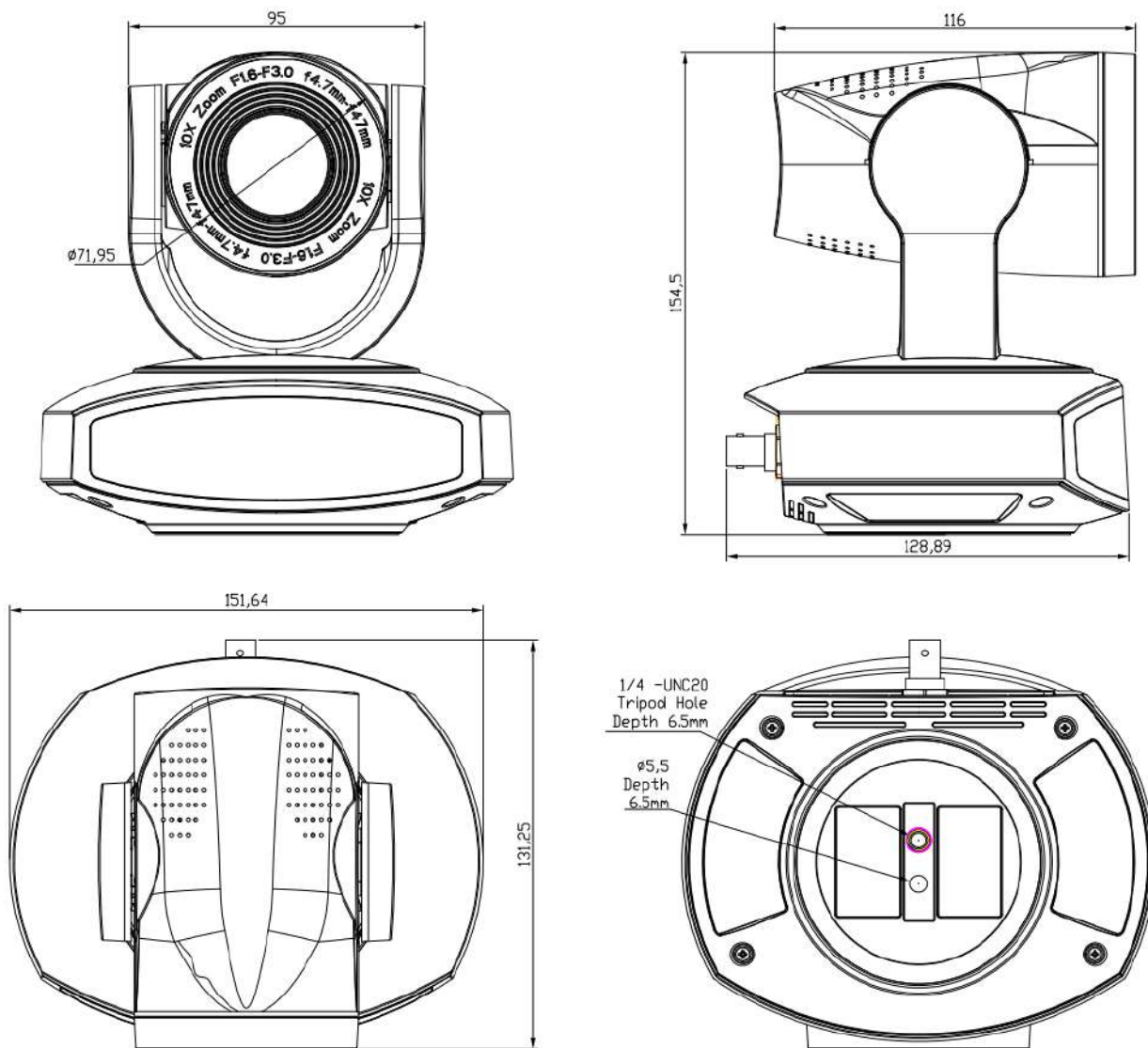
Tel:+86-755-33288582

E-mail:claire@mingricctv.com

Web:www.minrraycam.com

Address: 5&6 Floor,Building 13-A,ZhongHaiXin Technology Park,Ganli Road,Lilang Avenue,Buji,Shenzhen 518112,China

Dimension (unit: mm)



Phone:+86-17771843647

Tel:+86-755-33288582

E-mail:claire@mingricctv.com

Web:www.minrray.com

Address: 5&6 Floor,Building 13-A,ZhongHaiXin Technology Park,Ganli Road,Lilang Avenue,Buji,Shenzhen 518112,China