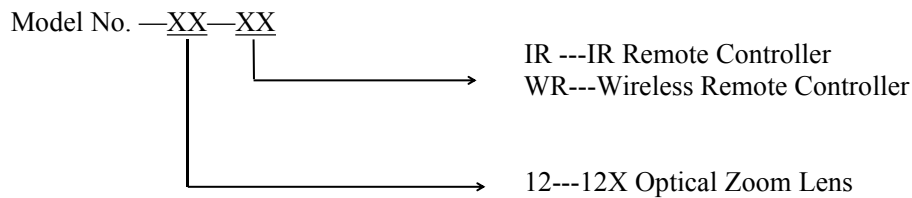

HD Live PTZ Camera BC570

This Live HD PTZ Camera BC570 has perfect functions, superior performance and rich video output interfaces; Featuring with advanced ISP processing algorithms, offering vivid and high resolution video with a strong sense of depth and fantastic color rendition.



2.1 Model



Phone:+86-17771843647

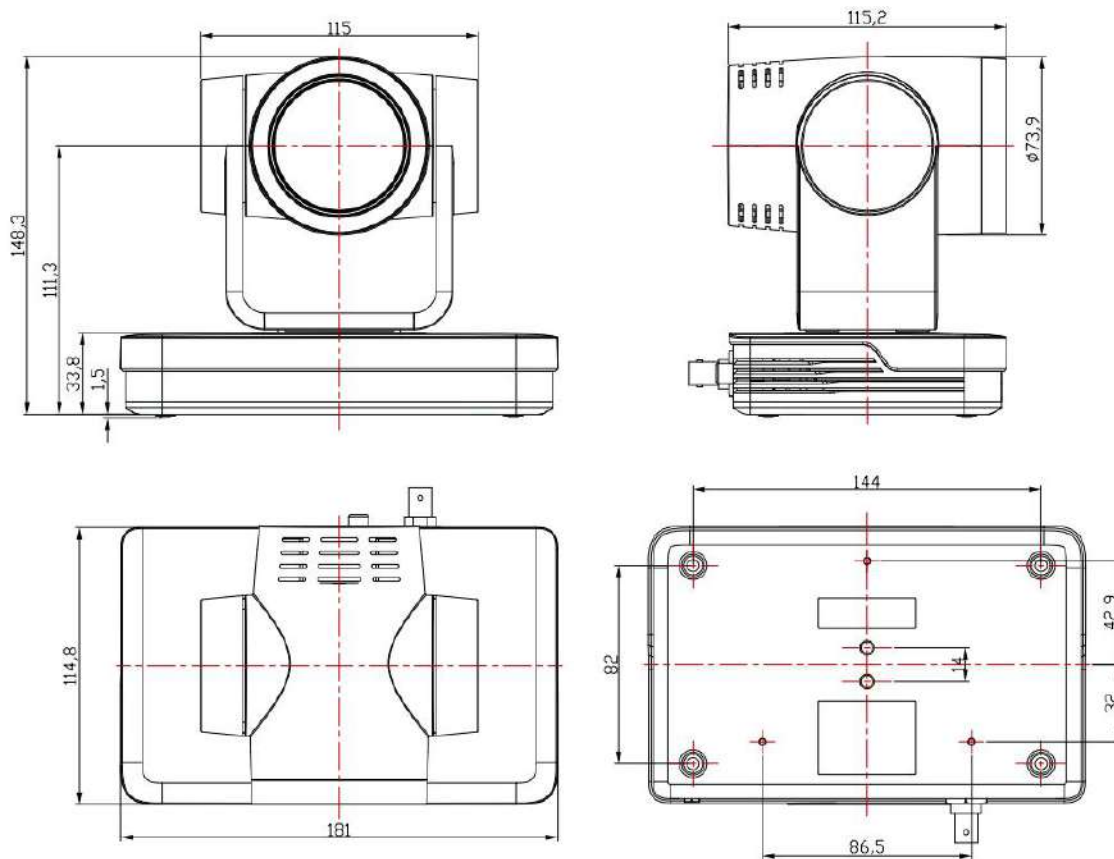
Tel:+86-755-33288582

E-mail:claire@mingricctv.com

Web:www.minrraycam.com

Address: 5&6 Floor,Building 13-A,ZhongHaiXin Technology Park,Ganli Road,Lilang Avenue,Buji,Shenzhen 518112,China

2.2 Dimension



Key Features

- **Full HD Resolution:** 1/2.8 inch high quality CMOS sensor. Resolution is up to 1920x1080 with frame rate up to 60 fps.
- **High restoration and beautifying effect:** It adopts advanced ISP processing technology and algorithm, with good color reproduction and beautifying effect.
- **Optical Zoom Lens:** 12X optical zoom lens, 72.5° wide angle with little distortion.
- **Leading Auto Focus Technology:** Fast, accurate and stable auto focusing technology.
- **Low Noise and High SNR:** Super high SNR image is achieved with low noise CMOS. Advanced 2D/3D noise reduction technology further reduces the noise while ensuring high image clarity.
- **Multiple video output interfaces:** Simultaneously output audio and video signal via HDMI, SDI, USB3.0 and LAN. LAN support POE power supply, USB3.0 support dual stream output, SDI output could up to 100M with 1080P@60fps.
- **Multiple Audio Compression Standards:** Support AAC, MP3 and G.711A audio compression, 8000, 16000,32000,44100,48000 sampling frequency.
- **USB3.0 supports dual stream output: The main stream and sub stream can be output at the same time.** Support YUY2, MJPEG, H.264, H.265, NV12 video compression;
- Support horizontal and vertical screen switching: USB3.0 output multiple video coding formats, support horizontal and vertical screen switching function.
- Panoramic and close-up switching: supports up to 255 presets (10 presets via remote control), and the position of the panoramic or close-up shots can be remembered through the preset position setting. The host can easily complete the live room by one person operating.
- **Built-in Gravity Sensor:** Support PTZ auto-flip function and easy installation.

Phone:+86-17771843647

Tel:+86-755-33288582

E-mail:claire@mingricctv.com

Web:www.minrraycam.com

Address: 5&6 Floor,Building 13-A,ZhongHaiXin Technology Park,Ganli Road,Lilang Avenue,Buji,Shenzhen 518112,China

- **Multiple Network Protocol:** Support ONVIF, GB/T28181, RTSP, RTMP protocols; Support RTMP push mode, easy to be connected to streaming server (Wowza, FMS); Support RTP multicast mode; Support network full command VISCA control protocol.
- **Control Interface:** RS422 compatible with RS485, RS232-IN, RS232-OUT, RS232 (cascade connection)
- **Multiple Control Protocol:** Support VISCA, PELCO-D, PELCO-P protocols; Support automatic identification protocols.
- **Quiet Pan / Tilt Movement:** With high accuracy step driving motor, camera can pan / tilt extremely quiet and smooth.
- **Multiple presets:** Up to 255 presets (10 presets via remote control).
- **IR / Wireless Remote Control:** Users can choose IR remote control or wireless remote control according to different conditions. 2.4G wireless remote control is not affected by the angle, distance or infrared interference. Far-end-control is also available.
- **Multiple Application:** It is widely used in beauty, jewelry, entertainment, games and other live broadcast application scenarios.

Technical Specification

Model	12X
Camera Parameter	
Optical Zoom	12X f=3.9-46.8mm
Sensor	1/2.8 inch high quality HD CMOS sensor
Effective Pixels	16: 9, 2.07 megapixel
Video Format	HDMI video format 1080P60/50/30/25, 1080I60/50, 720P60/50 USB3.0 interface video format: Main Stream: YUY2/MJPEG/NV12/H.264/H.265:1920×1080P30,1280×720P30, 1024×576P30, 960×540P30, 800×448P30, 720×480P30, 640×360P30, 640×480P30, 320×176P30, 1080x1920P30 MJPEG/H.264/H.265: 1920×1080P60, 1280×720P60, 1024×576P60, 960×540P60, 800×448P60, 720×480P60, 640×360P60, 640×480P60, 320×176P60, 1080x1920P60 Sub Stream: YUY2/NV12: 640×360P30,640×480P30,320×176P30 MJPEG/H.264/H.265: 1920×1080P30, 1280×720P30, 1024×576P30, 960×540P30, 800×448P30, 720×480P30, 640×360P30, 640×480P30, 320×176P30, 1080x1920P30
View Angle	72.5°(W) 6.3°(T)
AV	F1.8 – F2.4
Minimum Illumination	0.5Lux (F1.8, AGC ON)
DNR	2D & 3D DNR
White Balance	Auto / Manual/ One Push/ Specify color temperature (range: 2400k-7100k)
Focus/Aperture/ Electronic Shutter	Auto/Manual/One Push Focus
Exposure Mode	Auto/Manual/Shutter Priority, Aperture Priority, Brightness Priority
Iris	F1.8 ~ F11, CLOSE
Shutter Speed	1/25~1/10000
BLC	ON/OFF
WDR	OFF/ Dynamic level adjustment

Video Adjustment	Brightness, Color, Saturation, Contrast, Sharpness, B/W mode, Gamma curve
SNR	≥50dB
Input/output Interface	
Video Interfaces	HDMI, LAN(POE), USB3.0(type B compatible with USB2.0) , RS232-IN, RS232-OUT, RS422 (compatible with RS485), A-IN, Rotary DIP switch, DC 12V Port, Power Switch
Video Stream	Dual stream output
Video Compression Format	LAN Interface: H.265, H.264, Dual stream output USB3.0 Interface: Main Stream: YUY2, MJPEG, H.264, NV12, H.265 Sub Stream:YUY2, MJPEG, H.264, NV12, H.265
Audio Input Interface	Double track 3.5mm linear input
Audio Output Interface	HDMI, SDI, LAN, USB3.0
Audio Compression Format	AAC/MP3/G.711A
Network Interface	10M/100M/1000M adaptive Ethernet port, support POE and audio/video output
Network Protocol	RTSP, RTMP, ONVIF, GB/T28181;Network VISCA control protocol;support remote upgrade, reboot and reset
Control Interface	RS232-IN, RS232-OUT, RS422 (compatible with RS485)
Control Protocol	VISCA/Pelco-D/Pelco-P, Baud Rate: 115200/38400/9600/4800/2400bps
USB Communication	UVC (Video), UAC (Audio)
Power Interface	HEC3800 outlet (DC12V)
Power Adapter	Input: AC110V-AC220V ; Output: DC12V/2.5A
Input Voltage	DC12V±10%
Input Electric Current	Maximum: 1A
Power Consumption	Maximum: 12W
PTZ Parameter	
Pan/Tilt Rotation	±170°, -30°~+90°
Pan Control Speed	0.1 - 100°/sec
Tilt Control Speed	0.1- 45°/sec
Preset Speed	Pan: 100°/sec, Tilt: 45°/sec
Preset Number	255 presets (10 presets via remote control)
Other Parameter	
Stored Temperature	-10℃~+60℃
Storage Humidity	20%~95%
Working Temperature	-10℃~+50℃
Working Humidity	20%~80%
Dimension	181mmX115mmX149mm
Weight	1.15KG
Attachment	
Package	Power Supply, RS232 Control Cable, USB3.0 Cable, Remote Controller, User Manual

Phone:+86-17771843647

Tel:+86-755-33288582

E-mail:claire@mingricctv.com

Web:www.minrraycam.com

Address: 5&6 Floor,Building 13-A,ZhongHaiXin Technology Park,Ganli Road,Lilang Avenue,Buji,Shenzhen 518112,China

Optional Accessories	Ceiling / Wall Mount (Extra Cost)
----------------------	-----------------------------------

Dimension (unit:mm)

